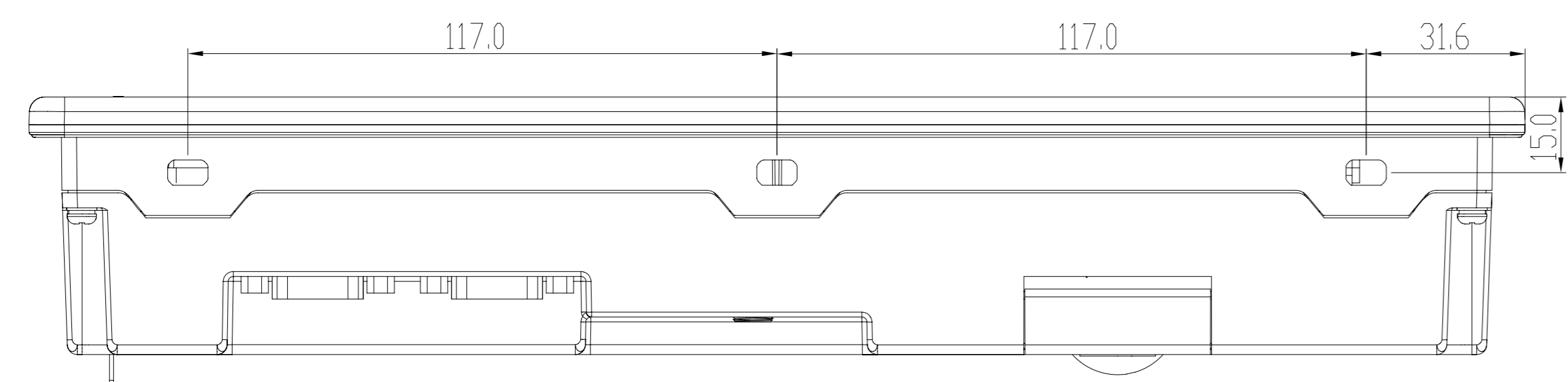
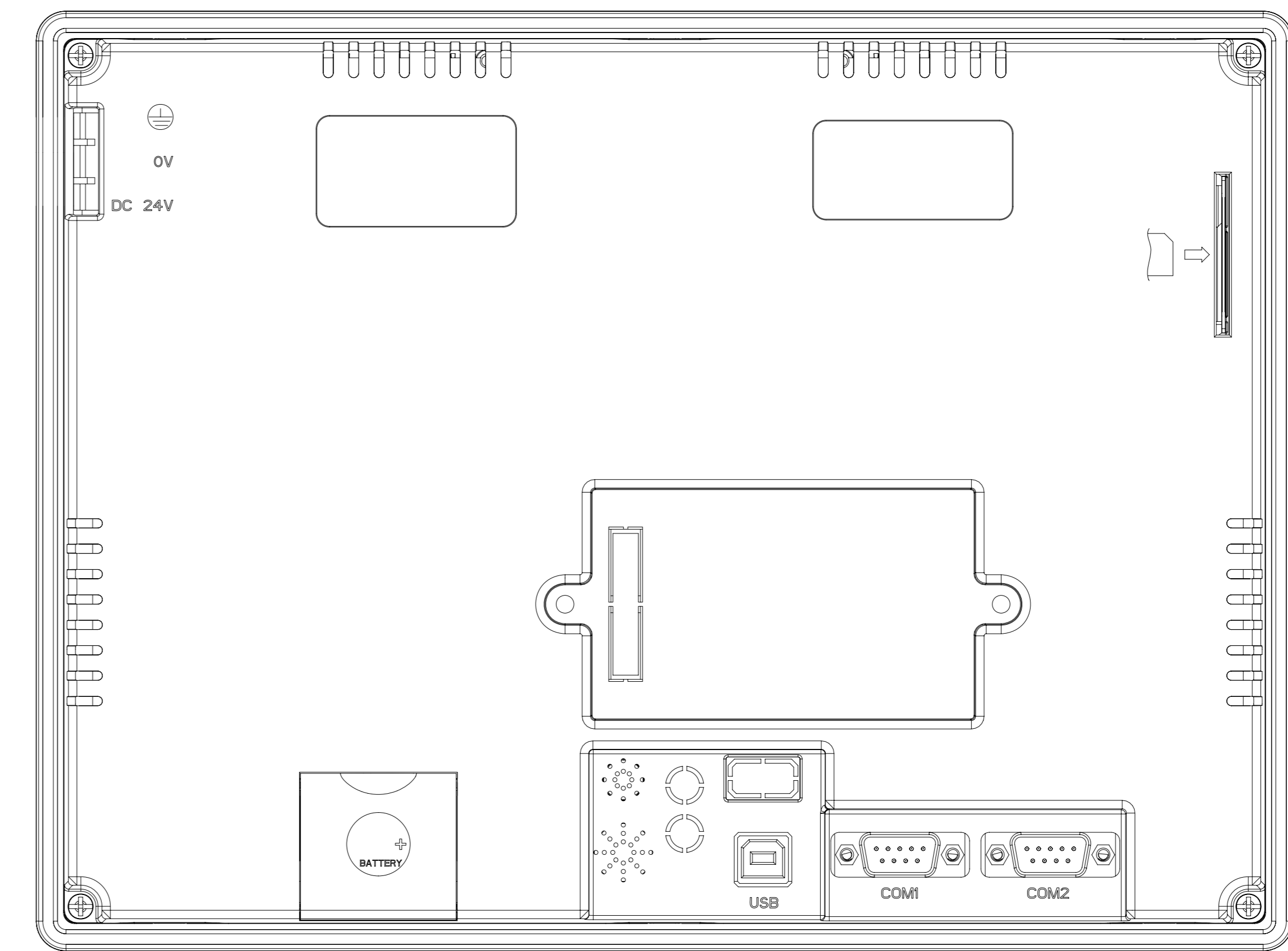
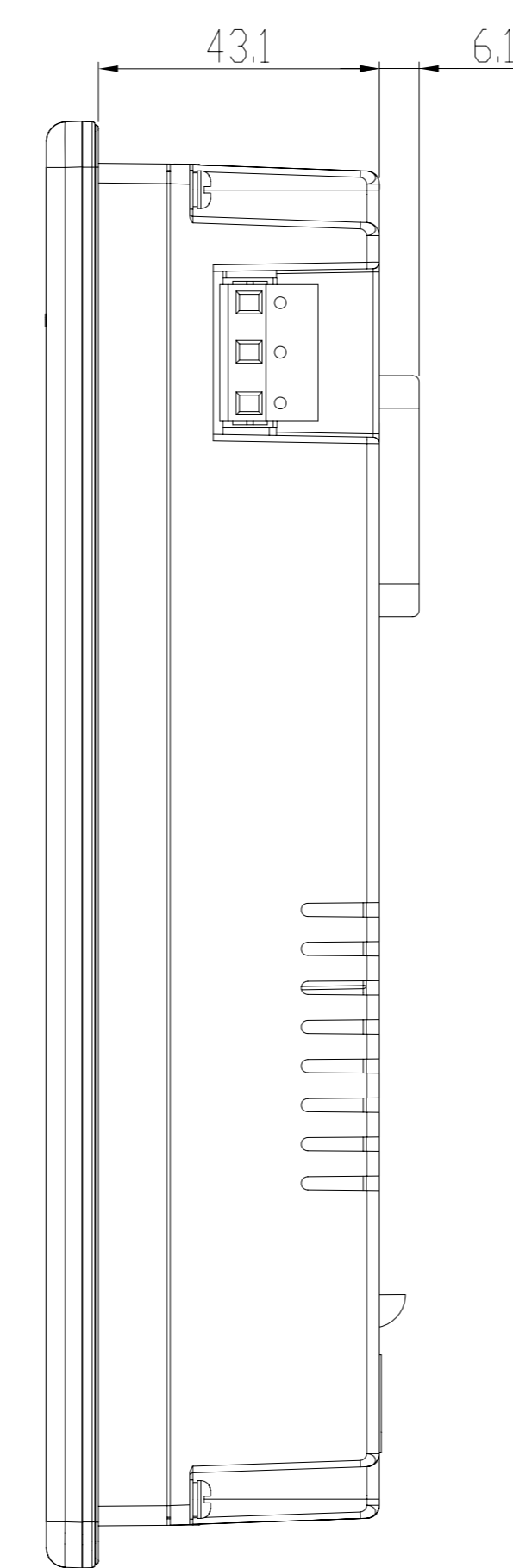
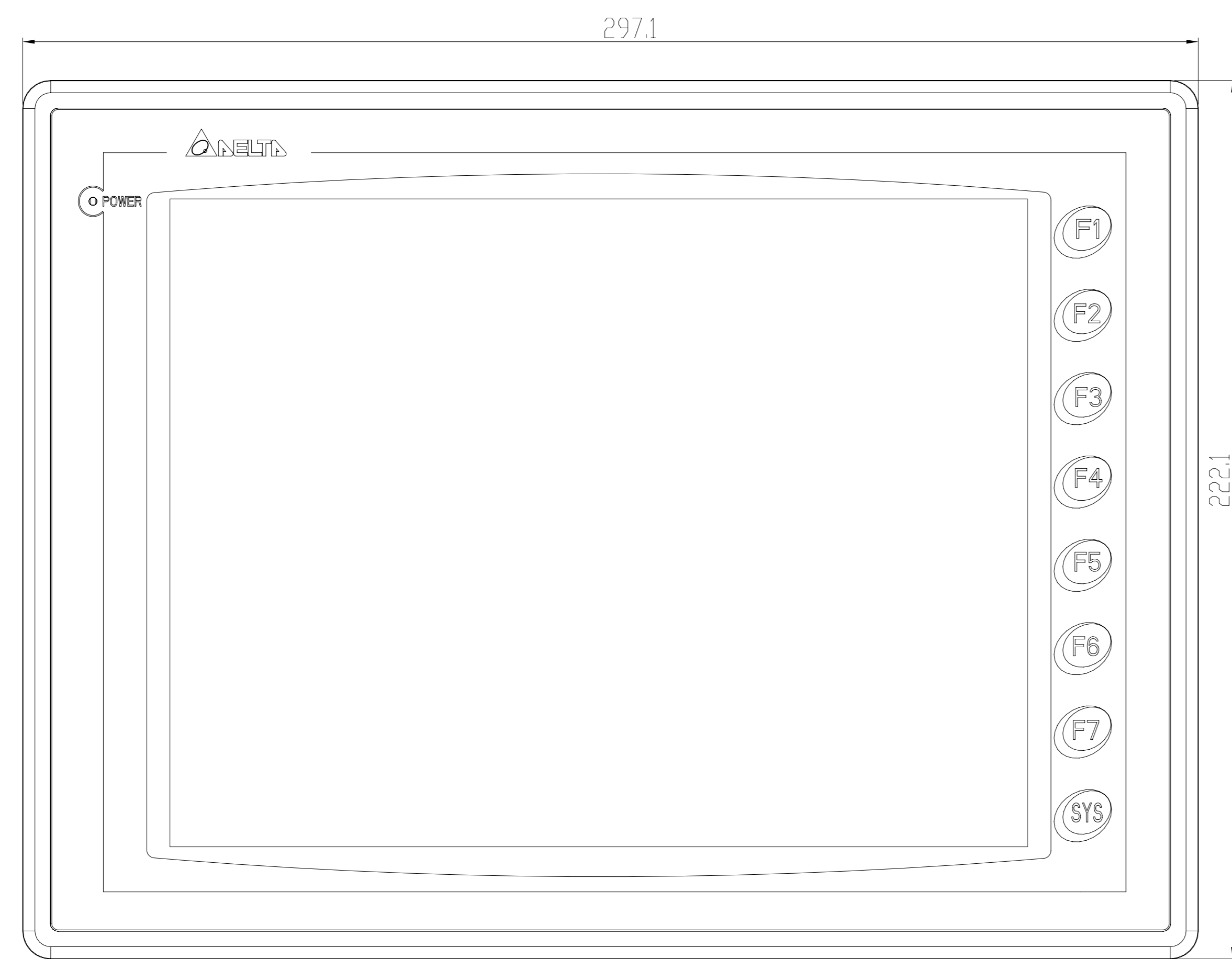
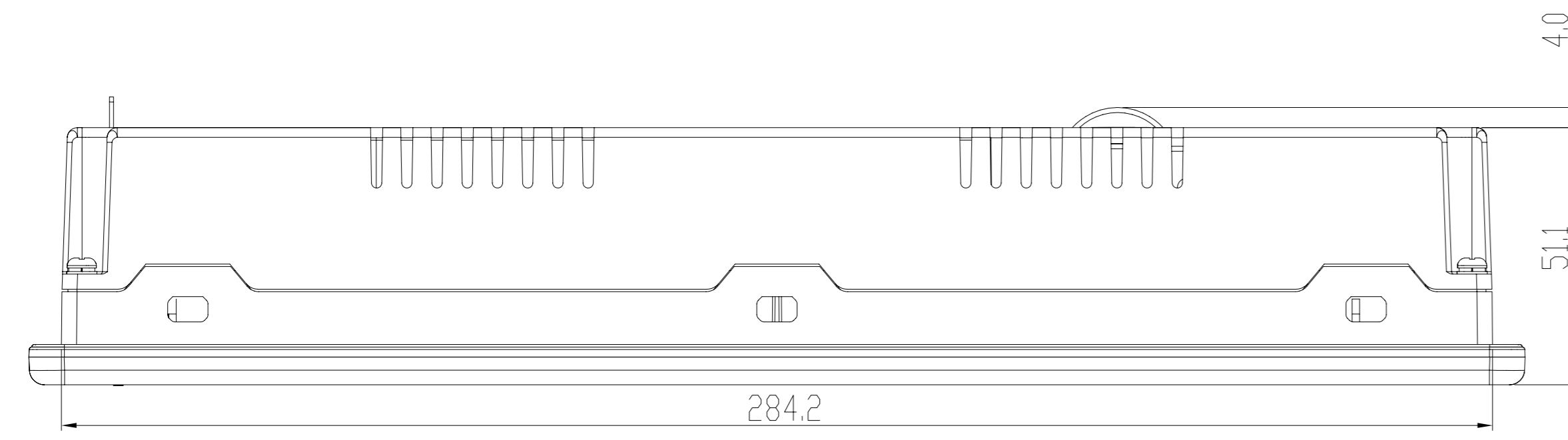


PHYSICAL DIMENSIONS

DOP-A(E)10TC/THTD
 DOP-A(E)10THTD1
 DOP-A(E)10THTD0



REV.	ECN NO.
00	-----

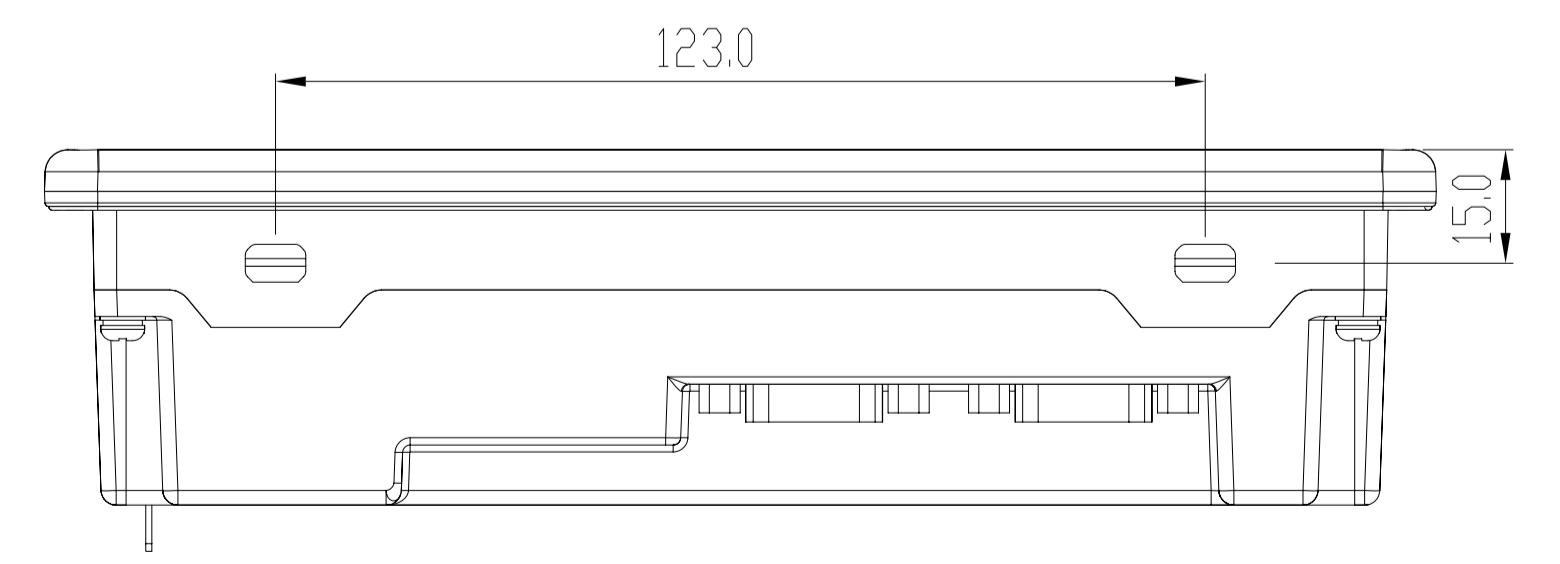
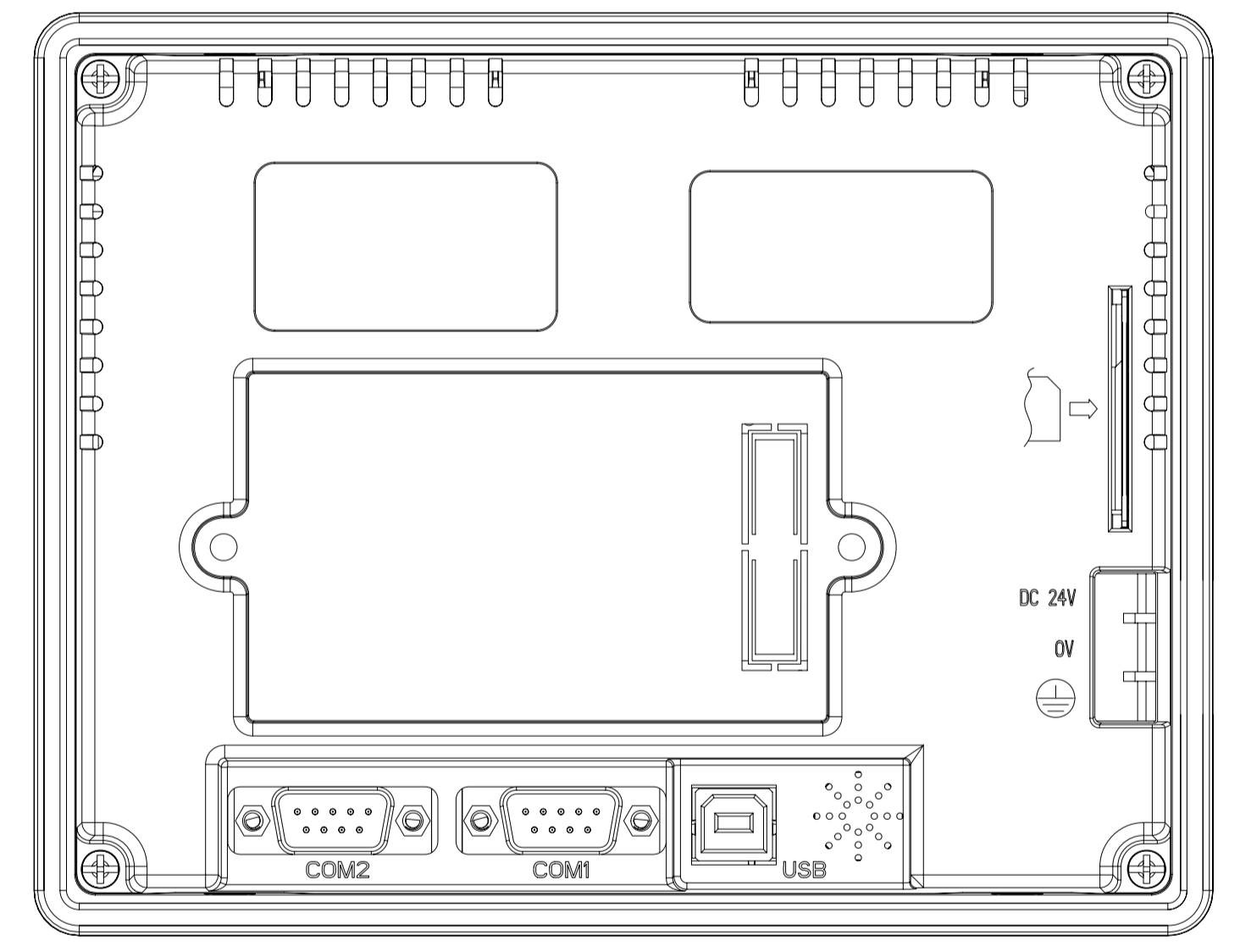
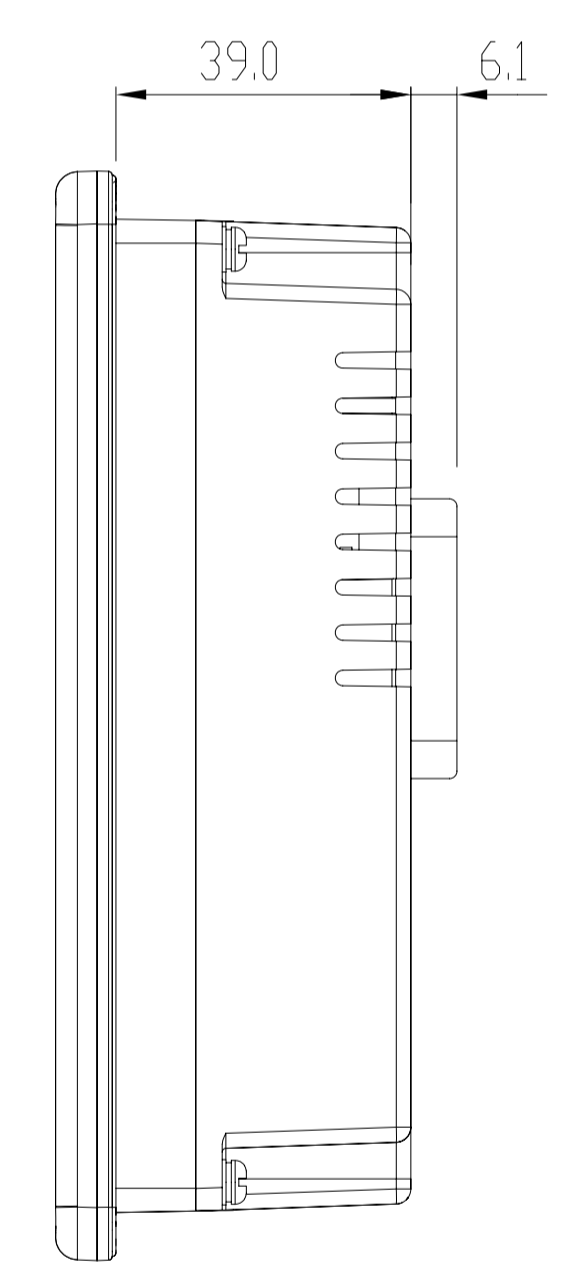
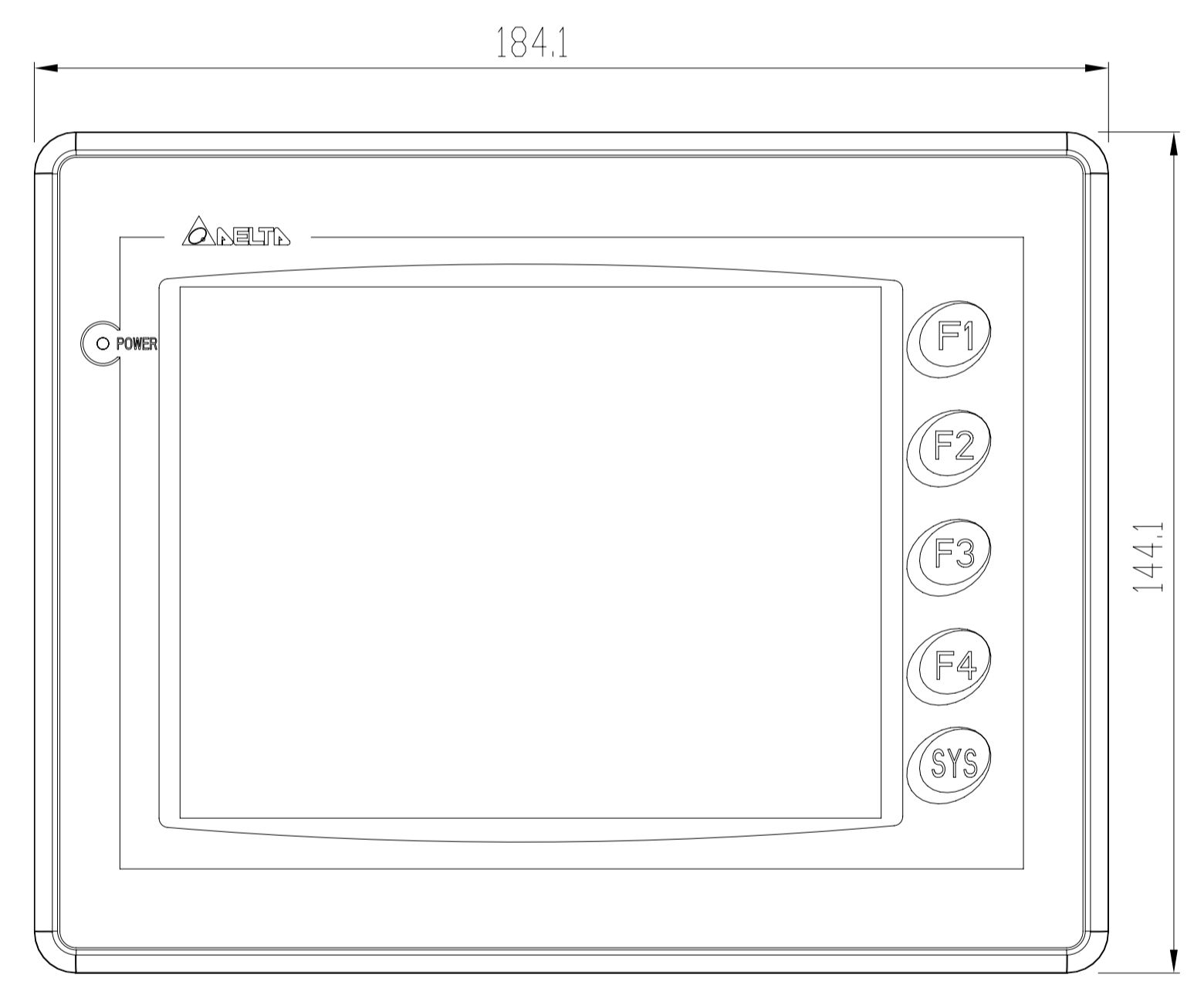
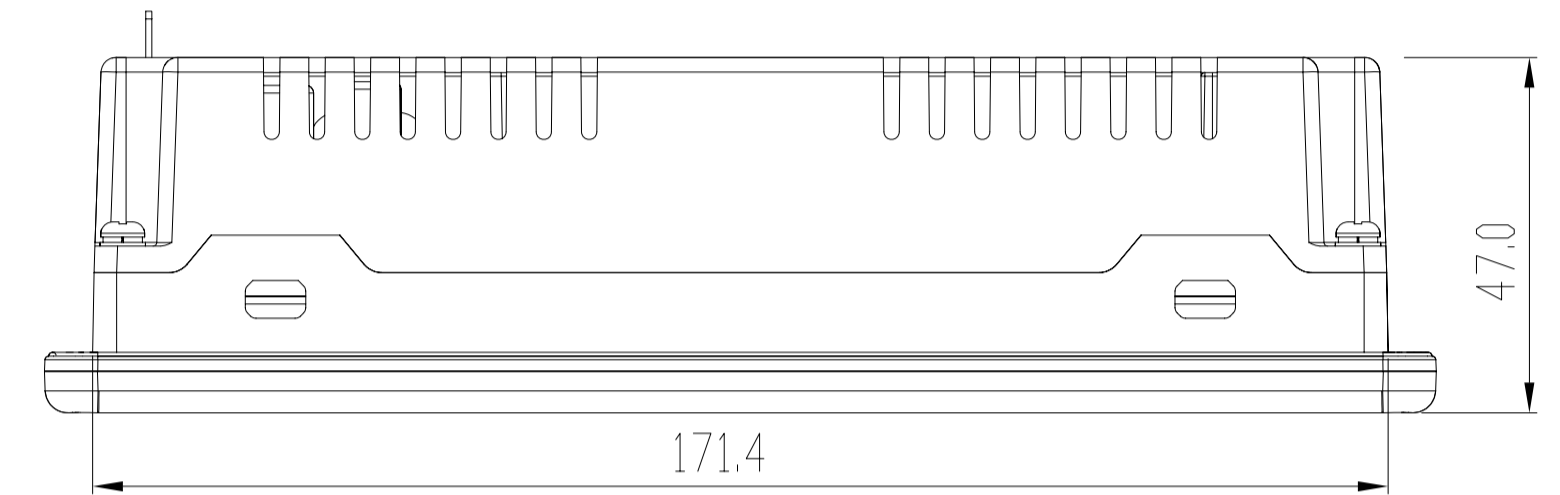
台達電子工業股份有限公司 DELTA ELECTRONICS, INC.		DRAWN: &drawn_by	DESIGN: &design_by
THESE DRAWINGS AND SPECIFICATIONS ARE THE PROPERTY OF DELTA ELECTRONICS, INC. AND SHALL NOT BE REPRODUCED OR USED AS THE BASIS FOR THE MANUFACTURE OR SELL OF APPARATUSES OR DEVICES WITHOUT PERMISSION.		DATE: &Date	ECN NO.: &ECN_No
DIMENSIONAL TOLERANCES (V) () () () ANGLES DECIMALS <50 ±0.1 <50 ±0.15 <50 ±0.2 <30° ±0.1° X ±0.3 >50-100 ±0.15 >100-150 ±0.2 >150-100 ±0.25 >30°-60° ±0.3° X.X ±0.2 >100-200 ±0.2 >100-200 ±0.25 >100-200 ±0.3 >60°-90° ±0.5° X.XX ±0.1 >200 ±0.2 >200 ±0.25 >200 ±0.3		PART NO.: &part_no	
DRAWING NAME: &dwg_name		SIZE: A0 THIRD ANGLE PROJECTION	REV. &rev
USED ON: &Used_On	UNIT: mm	SCALE: &scale	SHEET 1 OF 1

1 2 3 4 5 6 7 8 9 10 11

REV. 00 ECN NO. -----

PHYSICAL DIMENSIONS

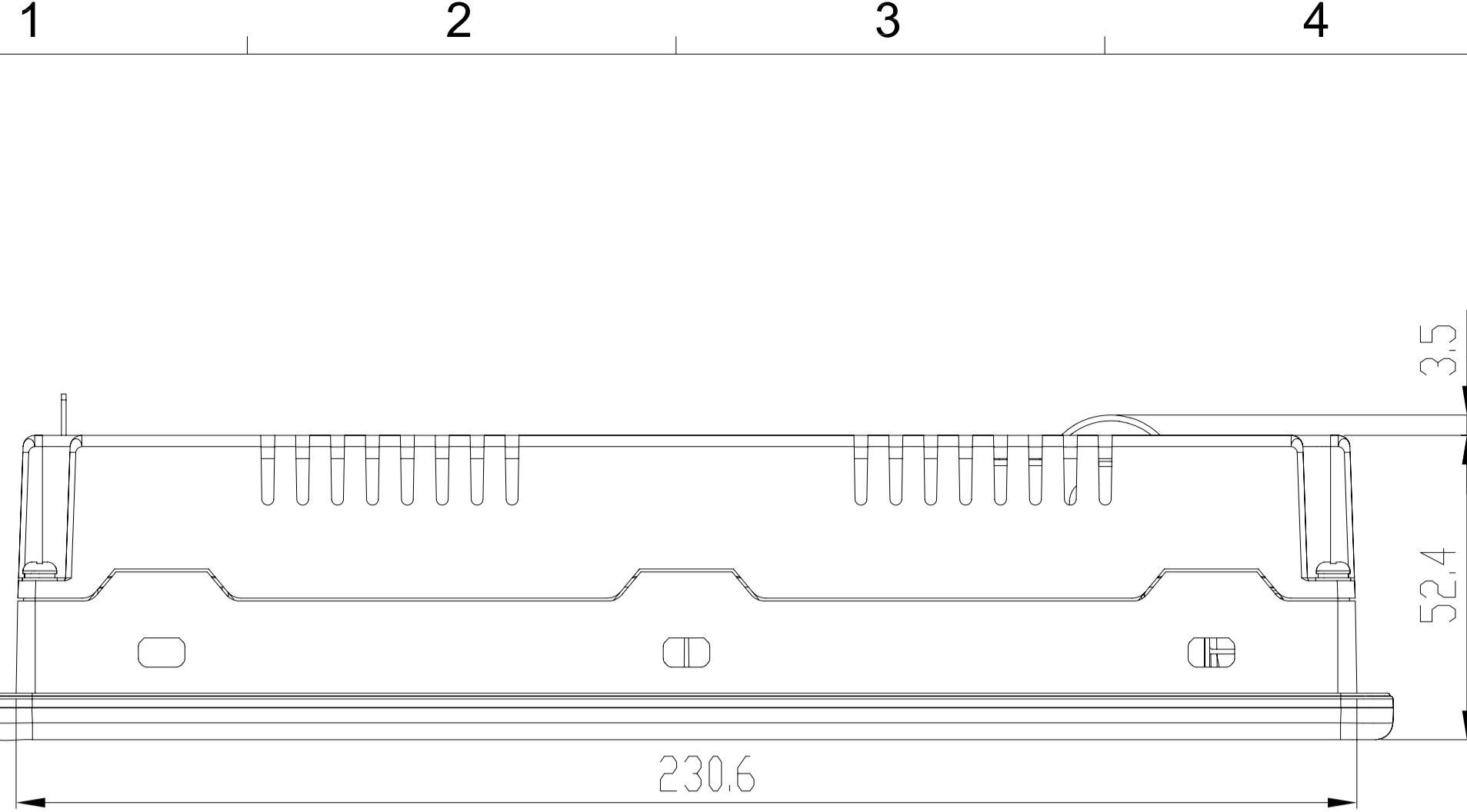
DOP-A(E)57G(C/B)STD(-W)
DOP-A(E)57G(C/B)STD1



北京微度科技发展有限公司 <http://www.wedotech.cn/>

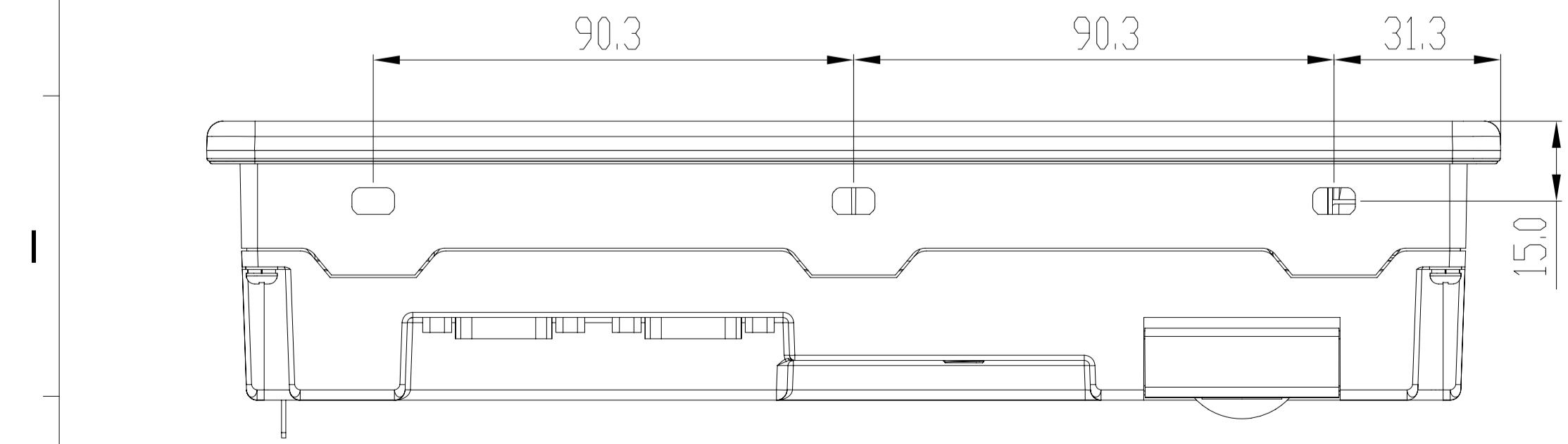
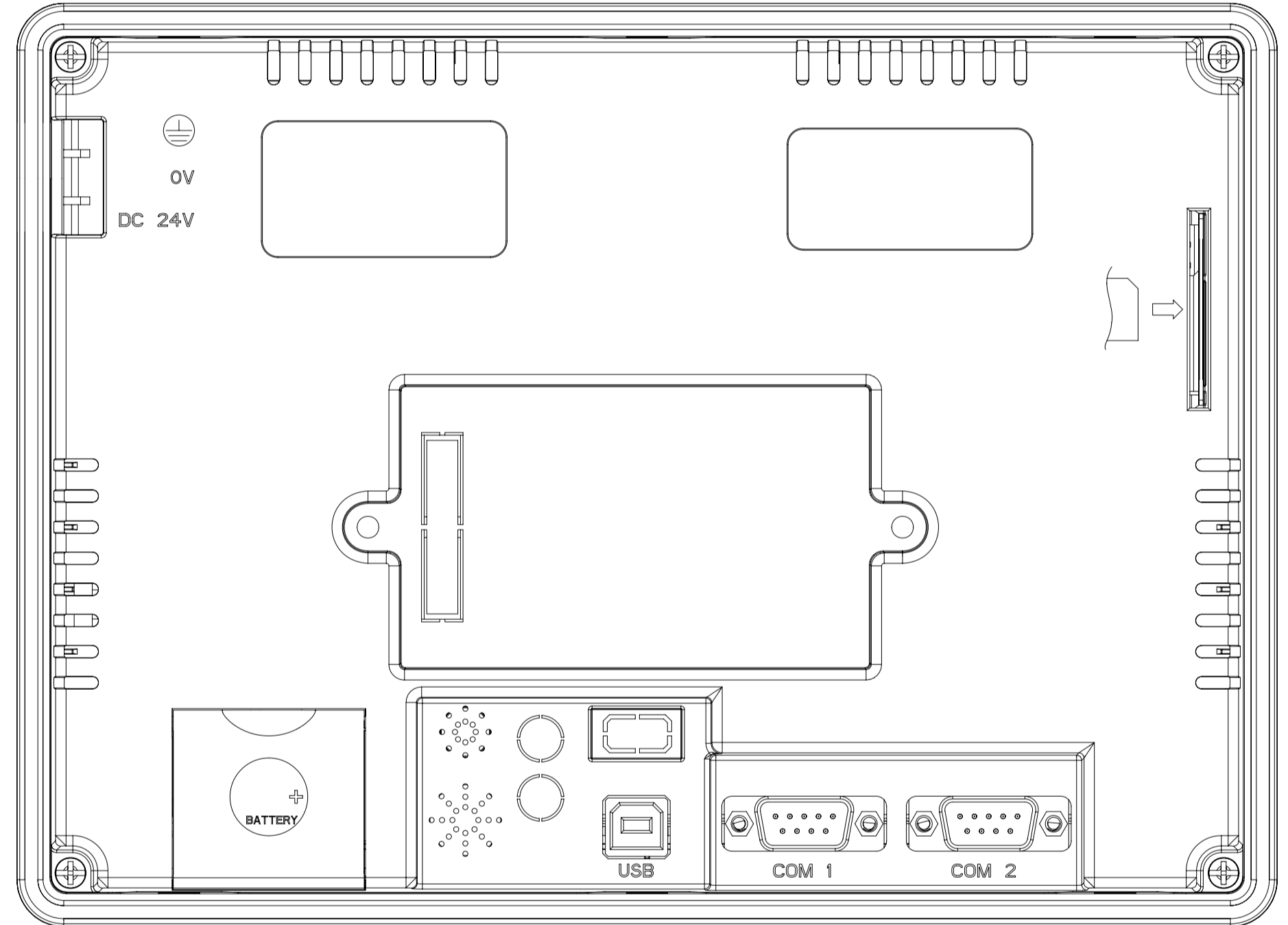
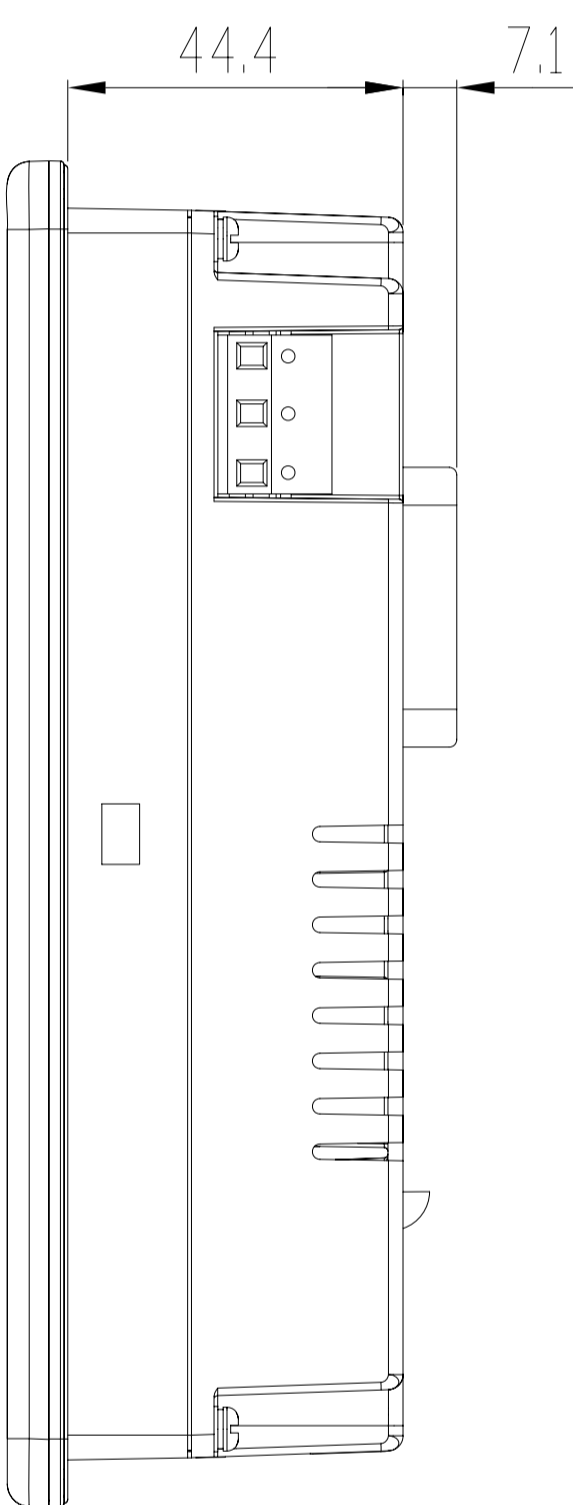
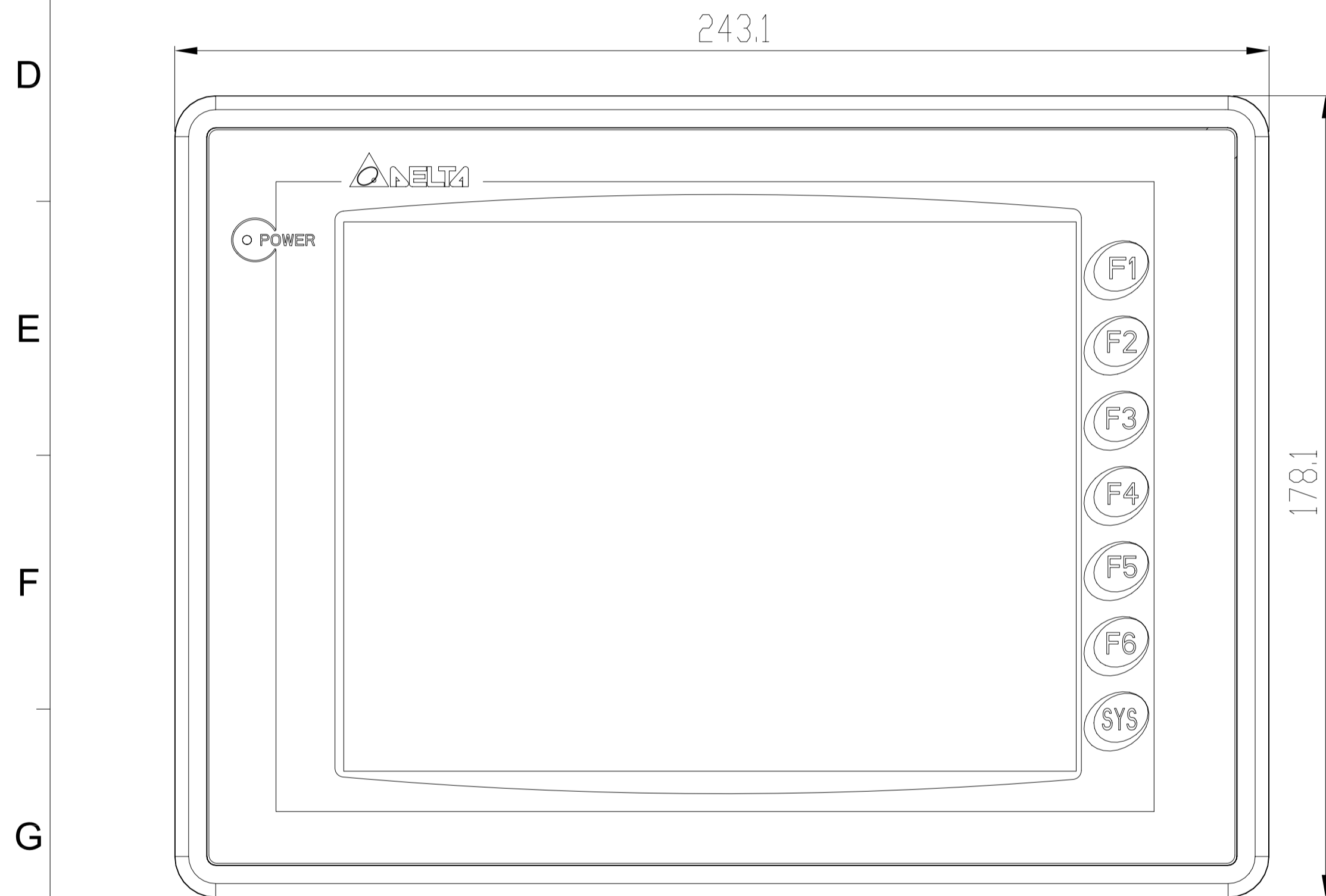
台達電子工業股份有限公司 DELTA ELECTRONICS, INC.		DRAWN: &drawn_by	DESIGN: &design_by
THESE DRAWINGS AND SPECIFICATIONS ARE THE PROPERTY OF DELTA ELECTRONICS, INC. AND SHALL NOT BE REPRODUCED OR USED AS THE BASIS FOR THE MANUFACTURE OR SELL OF APPARATUS OR DEVICES WITHOUT PERMISSION.		DATE: &Date	ECN NO.: &ECN_No
DIMENSIONAL TOLERANCES (V) () () ANGLES DECIMALS <50 ±0.1 <50 ±0.15 <50 ±0.2 <30° ±0.1° X ±0.3 >50-100 ±0.15 >50-100 ±0.2 >50-100 ±0.25 >30°-60° ±0.3° XX ±0.2 >100-200 ±0.2 >100-200 ±0.25 >100-200 ±0.3 >60°-90° ±0.5° XXX ±0.1 >200- ±0.2% >200- ±0.25% >200- ±0.3%		PART NO.: &part_no	
DRAWING NAME: &dwg_name		A1 THIRD ANGLE PROJECTION	REV. &rev
USED ON	&Used_On	UNIT mm	SCALE &scale SHEET 1 OF 1

1 2 3 4 5 6 7 8 9 10 11 DF-MEA1H-2R01



PHYSICAL DIMENSIONS

DOP-A(E)80THTD(0/1)

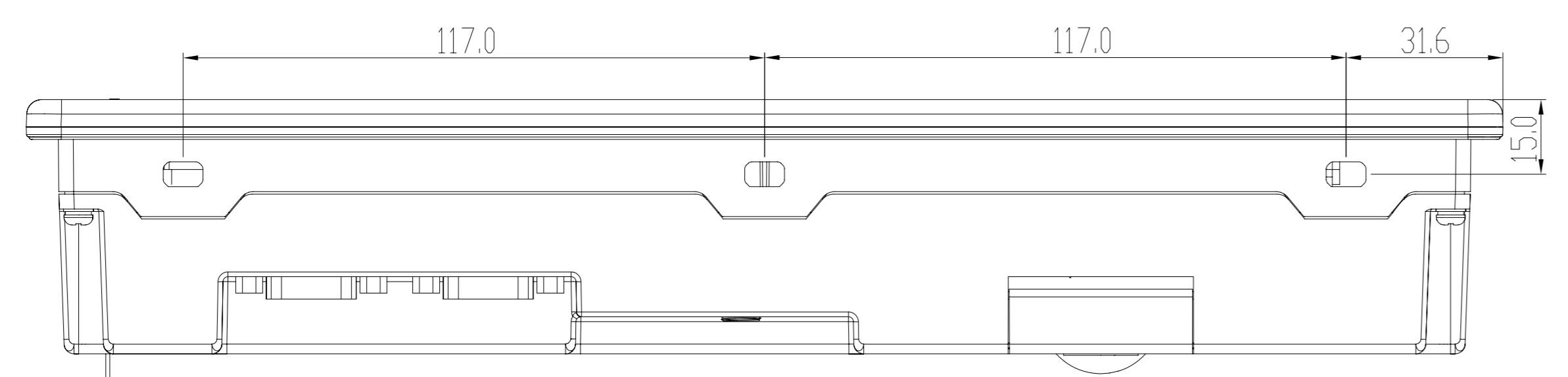
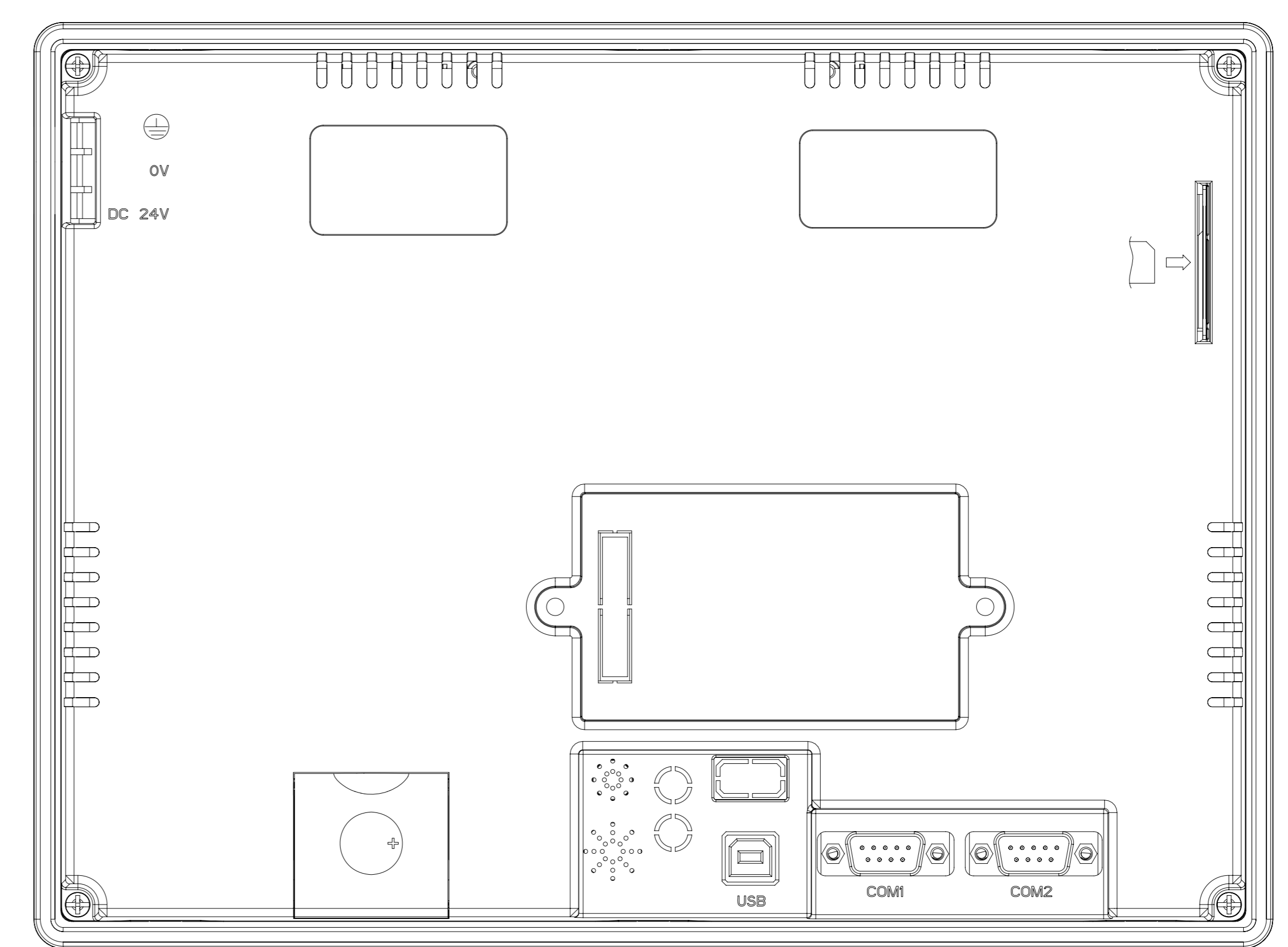
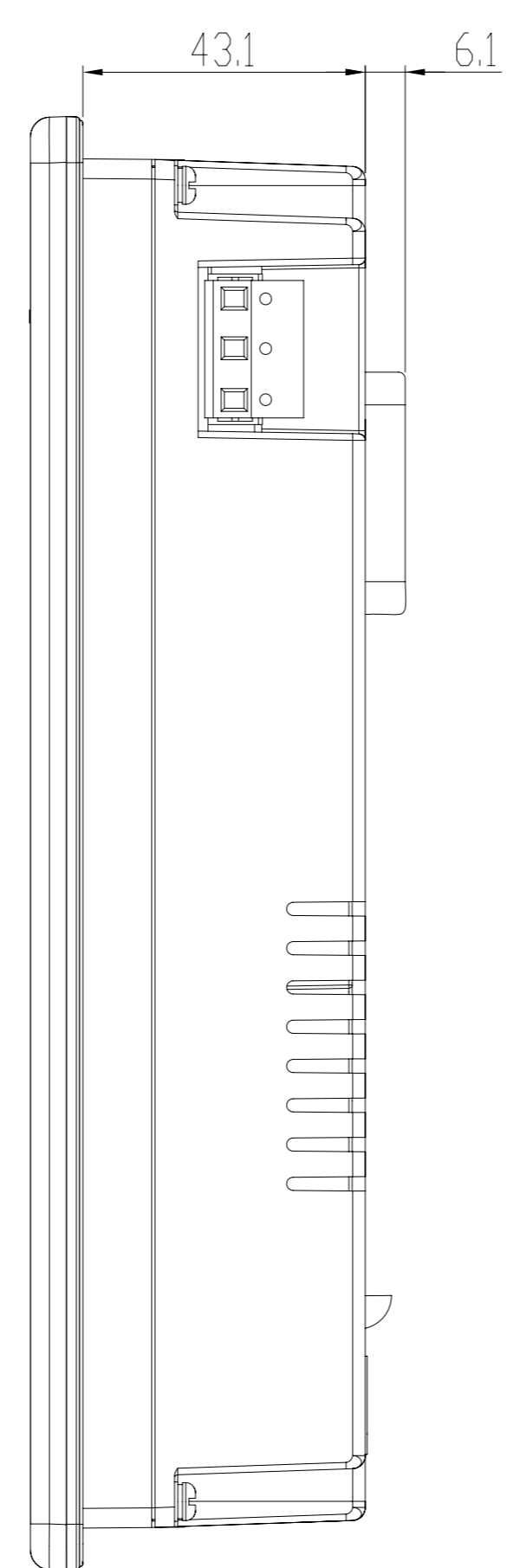
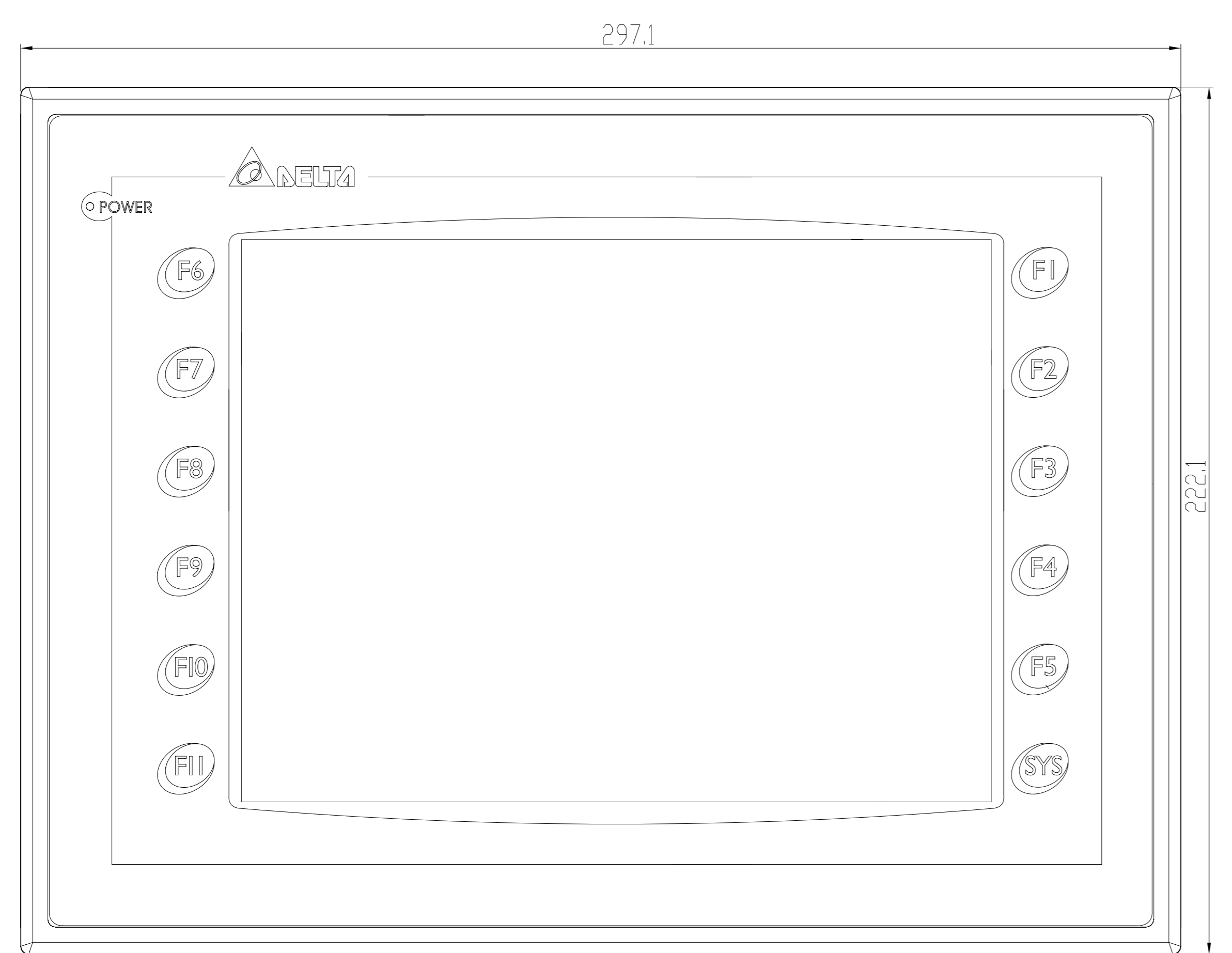
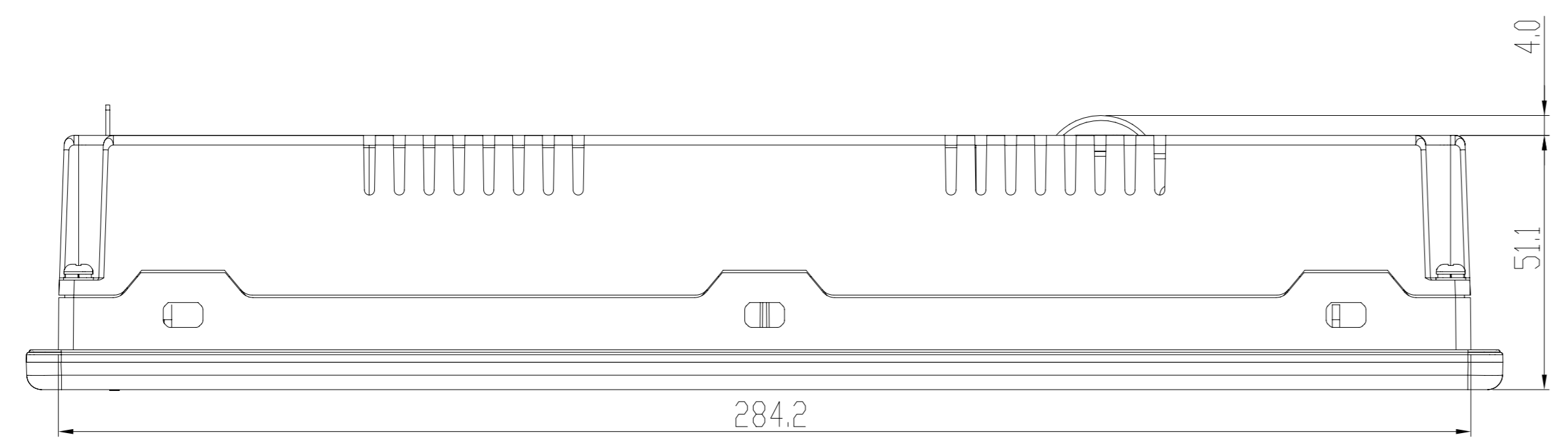


REV.	ECN NO.
00	-----

台達電子工業股份有限公司 DELTA ELECTRONICS, INC.		DRAWN: &drawn_by	DESIGN: &design_by
THESE DRAWINGS AND SPECIFICATIONS ARE THE PROPERTY OF DELTA ELECTRONICS, INC. AND SHALL NOT BE REPRODUCED OR USED AS THE BASIS FOR THE MANUFACTURE OR SELL OF APPARATUS OR DEVICES WITHOUT PERMISSION.		DATE: &Date	ECN NO.: &ECN_No
DIMENSIONAL TOLERANCES (V) () () () ANGLES DECIMALS <50 ±0.1 <50 ±0.15 <50 ±0.2 <30° ±0.1° X ±0.3 >50-100 ±0.15 >50-100 ±0.2 >50-100 ±0.25 >30°-60° ±0.3° XX ±0.2 >100-200 ±0.2 >100-200 ±0.25 >100-200 ±0.3 >60°-90° ±0.5° XXX ±0.1 >200- ±0.2% >200- ±0.25% >200- ±0.3%		PART NO.: &part_no	
DRAWING NAME: &dwg_name		A1 SIZE	THIRD ANGLE PROJECTION
USED ON	&Used_On	UNIT mm	SCALE &scale SHEET 1 OF 1

PHYSICAL DIMENSIONS

DOP-AE94BSTD



REV.	ECN NO.
00	-----

台達電子工業股份有限公司 DELTA ELECTRONICS, INC.		DRAWN: &drawn_by DATE: &Date DESIGN: &design_by ECN NO.: &ECN_No
THESE DRAWINGS AND SPECIFICATIONS ARE THE PROPERTY OF DELTA ELECTRONICS, INC. AND SHALL NOT BE REPRODUCED OR USED AS THE BASIS FOR THE MANUFACTURE OR SELL OF APPARATUS OR DEVICES WITHOUT PERMISSION.		DIMENSIONAL TOLERANCES (V) () () () ANGLES DECIMALS <50 ±0.1 <50 ±0.15 <50 ±0.2 <30° ±0.1° X ±0.3 >50-100 ±0.15 >50-100 ±0.2 >50-100 ±0.25 >30°-60° ±0.3° X.X ±0.2 >100-200 ±0.2 >100-200 ±0.25 >100-200 ±0.3 >60°-90° ±0.5° X.XX ±0.1 >200 ±0.2 >200 ±0.25 >200 ±0.3
DRAWING NAME: &dwg_name USED ON: &Used_On	PART NO.: &part_no UNIT: mm SCALE: &scale SHEET 1 OF 1	REV. &rev